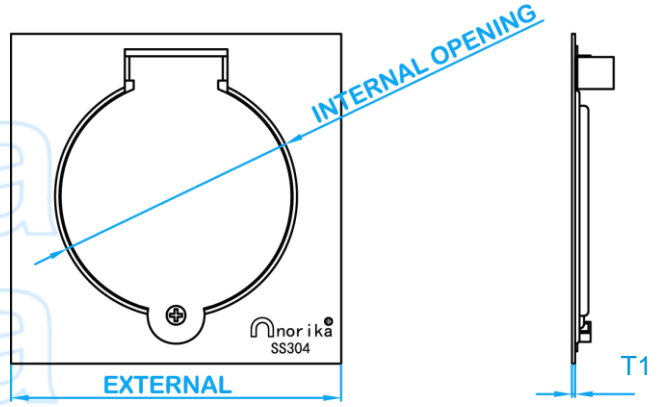
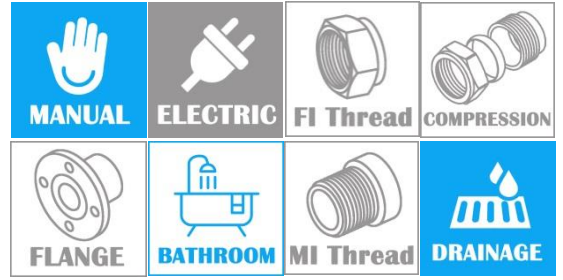


STAINLESS STEEL AISI304 & AISI316 SQUARE GRATINGS

COMPLY WITH SS213:1998

NO HOLE WITH LOCK

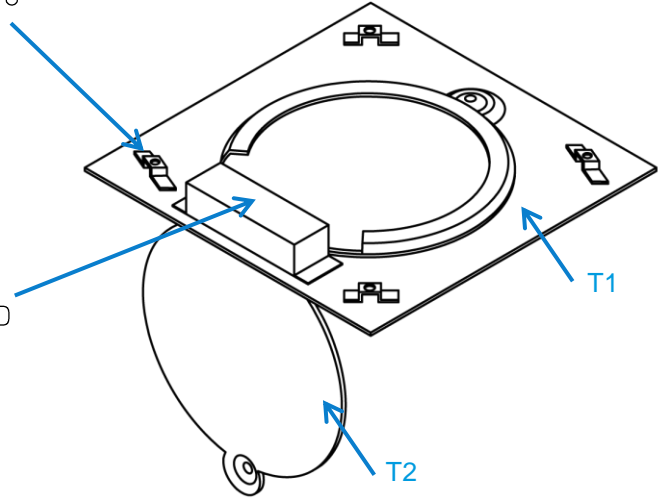


TOP VIEW

SIDE VIEW

GRIPS ARE ADDED TO HOLD ONTO THE CEMENT AND PREVENT GRATING FROM SLIPPING OFF.

ADDITIONAL COVER IS DESIGNED TO ENABLE THE LID TO BE OPENED EASILY BY PREVENTING CEMENT FROM SEEPING IN.



3D VIEW

DIMENSIONS

SKU	MATERIAL	SURFACE	INTERNAL OPENING (mm)	T1×T2 (mm)	EXTERNAL (mm)	WEIGHT (kg)	PCS/CTN
SSGN150HLNHWL	AISI304L	HAIRLINE	105	1.5×2.0	150×150	0.330	40
SSGN150HLNHWL316L	AISI316L			1.5×2.0		0.310	40
SSGN150HLNHHDWL316L	AISI316L			3.0×3.0		0.520	40
SSGN150HLNHHDWL	AISI304L			3.0×3.0		0.520	40